



uTrust TS Government Readers

Mullion, Wall Mount, and Wall Mount Keypad



Robust, FICAM-certified readers for CAK validation systems enable compliance with FIPS 201, FIPS 140-2, and NIST SP800-116 publications.

Identiv's uTrust TS Government Readers offer an extensive product line that encompasses both single and dual-factor authentication configurations.

uTrust TS Readers offer an excellent balance of compliance, interoperability, and security for federal agencies, governmental contractors, and other facilities.

uTrust TS Government Readers are the industry's most flexible and highly secure intelligent door reader endpoint. They enable agencies to deploy a highly secure U.S. government FICAM card authentication key (CAK) at a fraction of the cost of competing solutions.

The readers support and read any PIV-based card with an ISO14443 contactless interface and a CAK certificate.

uTrust TS Government Readers include all of the features of uTrust TS Readers with a choice of RS-485 (OSDP) or Wiegand and support for Power over Ethernet (PoE), making it one of the most advanced edge door readers on the market.

The reader complies with FIPS 201 and FIPS 140-2, in addition to other international high-security standards.

FICAM Migration

Versatile platform with full range of FIPS 201 approved products

One Reader, All Major Credentials

Supports PIV, PIV-I, CIV, CAC, with optional support for legacy proximity

Certificate Checking at the Door

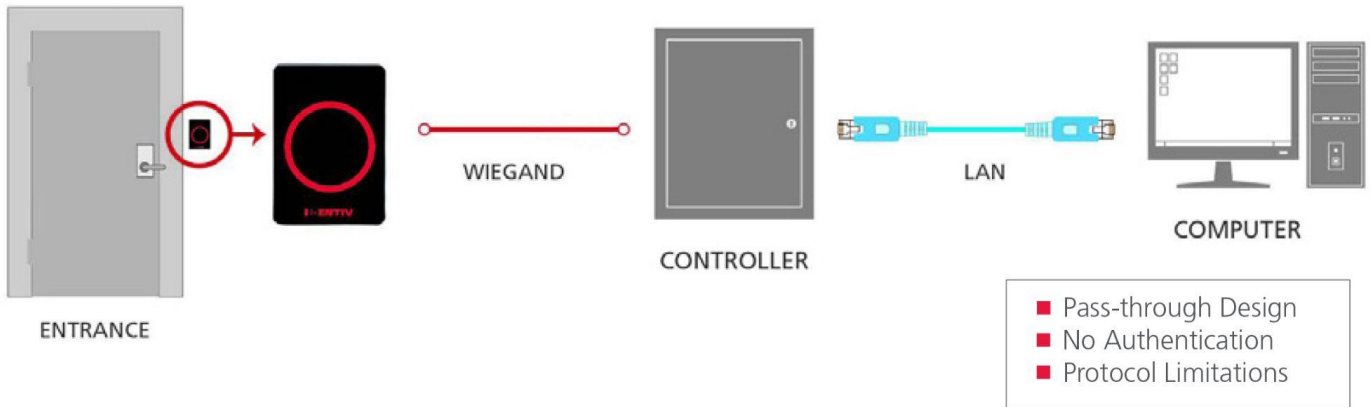
Fast, usable, FICAM-compliant card authentication key (CAK) validation

Federal Compliance

FICAM certified for CAK validation systems; enables compliance with FIPS 201, FIPS 140-2, and NIST SP800-116 publications

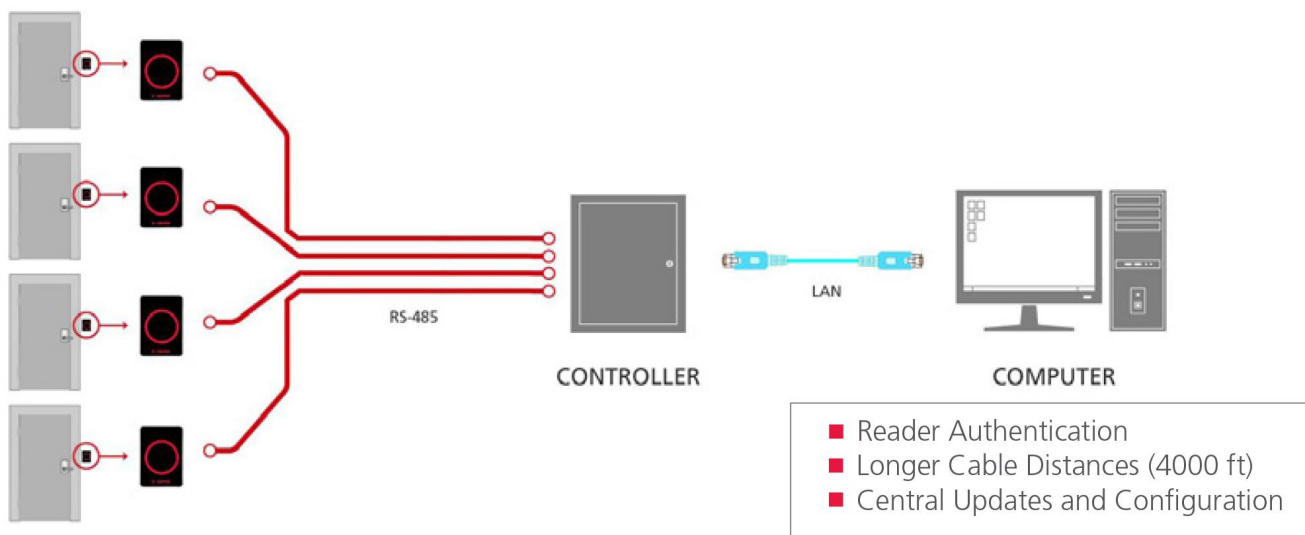
WIEGAND

Identiv's uTrust TS Government Reader solutions offer an excellent migration plan for existing Wiegand-based systems. These readers are a direct replacement for existing Wiegand card readers enabling a seamless transition to RS-485 or Ethernet communication for FICAM validation.



VALIDATION ARCHITECTURE | RS-485 (OSDP)

The uTrust TS Government Readers are the industry's most flexible and highly secure intelligent door reader endpoint. They enable agencies to deploy a highly secure U.S. government FICAM card authentication key (CAK) at a fraction of the cost of competitive solutions.



SECURE OSDP

The uTrust TS Government Readers offer optional secure OSDP between Mx controllers and TS readers to enable encrypted communications.

uTrust TS Mullion Government Reader Specifications

	TS Mullion HF	TS Mullion HF/LF	S Mullion HF/LF PoE	TTS Mullion HF PoE
Part Numbers	8002ABP0000 8002ABT0000 8002ABPF000 8002ABTF000 8002ABPR000 8002ABTR000	8012ABP0000 8012ABT0000 8012ABPF000 8012ABTF000 8012ABPR000 8012ABTR000	8032ABP0000 8032ABT0000 8032ABPF000 8032ABTF000 8032ABPR000 8032ABTR000	8052ABP0000 8052ABT0000 8052ABPF000 8052ABTF000 8052ABPR000 8052ABTR000
Current Consumption (@12V)	100 mA Average 133 mA Peak		167 mA Average; 211 mA Peak; PoE: @48V 50 mA Average; 55 mA Peak	
Dimensions	Body: 4.6 in (11.7 cm) H x 1.7 in (4.3 cm) W x 1.1 in (2.8 cm) D			
Product Weight	5 oz. (142 g)			
Connection	Pigtail or Terminal Strip			

uTrust TS Wall Mount Government Reader Specifications

	TS Wall Mount HF	TS Wall Mount HF/LF	TS Wall Mount HF/LF PoE	TS Wall Mount HF PoE
Part Numbers	8102ABP0000 8102ABT0000 8102ABPF000 8102ABTF000 8102ABPR000 8102ABTR000	8112ABP0000 8112ABT0000 8112ABPF000 8112ABTF000 8112ABPR000 8112ABTR000	8132ABP0000 8132ABT0000 8132ABPF000 8132ABTF000 8132ABPR000 8132ABTR000	8152ABP0000 8152ABT0000 8152ABPF000 8152ABTF000 8152ABPR000 8152ABTR000
Current Consumption (@12V)	97 mA Average 114 mA Peak		172 mA Average; 202 mA Peak; PoE: @48V 50 mA Average; 55 mA Peak	
Dimensions	Body: 4.6 in (11.7 cm) H x 3.1 in (7.8 cm) W x 1.1 in (2.8 cm) D			
Product Weight	10.25 oz (290 g)			
Connection	Pigtail or Terminal Strip			

uTrust TS Wall Mount Keypad Government Reader Specifications

	TS Wall Mount Keypad HF	TS Wall Mount Keypad HF/LF	TS Wall Mount Keypad HF/LF PoE	TS Wall Mount Keypad HF PoE
Part Numbers	8202ABP0000 8202ABT0000 8202ABPF000 8202ABTF000 8202ABPR000 8202ABTR000	8212ABP0000 8212ABT0000 8212ABPF000 8212ABTF000 8212ABPR000 8212ABTR000	8232ABT0000 8232ABTF000 8232ABTR000	8252ABT0000 8252ABTF000 8252ABTR000
Current Consumption (@12V)	110 mA Average 155 mA Peak		180 mA Average; 255 mA Peak; PoE: @48V 80 mA Peak	
Dimensions	Body: 4.6 in (11.7 cm) H x 3.1 in (7.8 cm) W x 1.1 in (2.8 cm) D			
Product Weight	10.93 oz (310 g)			
Connection	Pigtail or Terminal Strip			

Common Specifications

	HF	HF/LF	HF/LF PoE	HF PoE
Carrier Frequencies	13.56 MHz	13.56 MHz and 125 kHz		13.56 MHz
Low Frequency (125kHz) Compatibility	N/A	HID ® Prox, Indala ®, CASI-RUSCO®, AWID and others		N/A
High Frequency (13.56MHz) Compatibility	uTrust TS, MIFARE Classic, MIFARE DESFire EVx, ISO15693 UID, ISO14443A UID			
Data Protocol	Wiegand or RS-485/OSDP (2 Wire - Half Duplex) FICAM Ready			
Power Supply	12 VDC or PoE (802.3af)			
Housing Material	UL 94 Polycarbonate, Black			
Operating Temperature	-31 to 151° F (-35 to 66° C)		32 to 120° F (0 to 49° C)	
Storage Temperature	-31 to 185° F (-35 to 85° C)			
Operating Humidity	5% to 95% relative humidity (non-condensing)			
Status Indicator	RGB LED, Buzzer			
Cable Distance	Wiegand 500 ft (152 m) 18 AWG wire, RS-485 4000 ft (1200 m) 18 AWG shielded twisted pair			
Certifications	FCC, UL 294, CE, IC, RCM, RoHS2, REACH			
Environmental Rating	Pigtail versions: IP67; Terminal versions IP65; PoE versions: IP55			
Warranty	Limited Lifetime			